

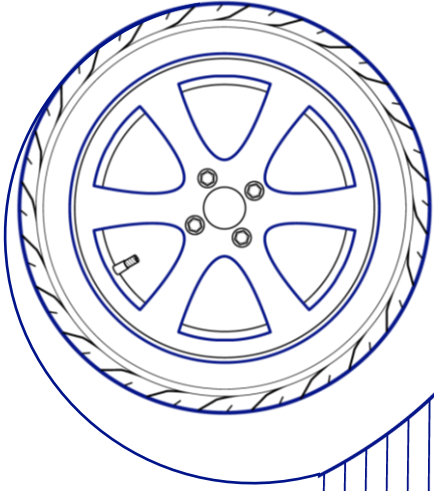


KORDSA

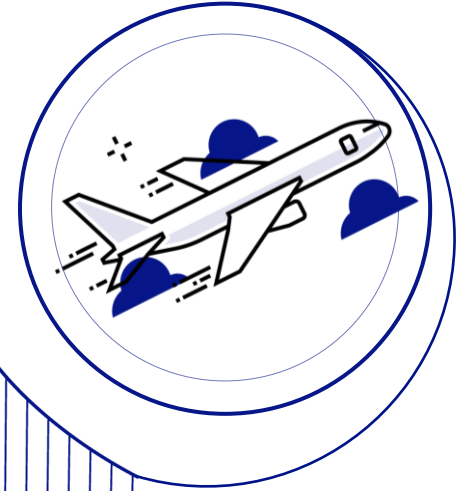
THE REINFORCER

RUPSLB PT Indo Kordsa Tbk

24 September 2024



KORDSA
THE REINFORCER



Commisioner Profile
Ömür Menteş

Ömür Menteş



Bapak Omur Menteş warga negara Turki berusia 52 tahun. lahir di Ankara, Turki.

Mr. Omur Menteş is a Turkish Citizen, 50 years old. Born in Ankara, Turkiye.

Omur menerima gelar BSc. dan MSc. Teknik Mesin dari Middle East Technical University masing masing pada tahun 1994 dan 2004.

Omur has received his BSc. and MSc. of Mechanical Engineering degree from Middle East Technical University in 1994 and 2004.

Beliau memulai karir profesionalnya pada tahun 1997 sebagai R&D Engineer, di Mercedes-Benz Turki, Omur kemudian memegang jabatan pemasaran dan penjualan, serta berperan manajemen produksi di Beksa Steel Cord Inc. antara tahun 1998 dan 2008 untuk Produk Kawat dan Kabel Baja. Beliau mengoordinasikan SA15+ sebagai Ketua Komite Manajemen Proses atas nama Beksa.

He starting his professional career in 1997 at Mercedes-Benz Turkey as an R&D Engineer, Omur went onto hold marketing and sales, as well as production management roles in Beksa Steel Cord Inc. between 1998 and 2008 for Wire Products and Steel Cord. He coordinated SA15+ as Process Management Committee Leader on behalf of Beksa.

Ömür Menteş



Beliau hadir dalam program Sabanci Holding "Talent Pool 98", INSEAD - Sabanci "Leadership and Value-Based Management". Mengikuti posisinya sebagai System Development Manager pada tahun 2008, Omur kemudian pindah ke Bekaert Shanghai sebagai Global Account Manager – Growth Accounts dan International Customers – Sales Director (Asia Utara).

He attended Sabanci Holding "Talent Pool 98", INSEAD - Sabanci "Leadership and Value-Based Management" programs. Following his role as System Development Manager in 2008, Omur was transferred to Bekaert Shanghai and took the roles of Global Account Manager – Growth Accounts and International Customers - Sales Director (Asia North).

Pada 2012, beliau berperan sebagai Direktur Pemasaran dan Penjualan Regional SEA yang berbasis di Bekaert Singapura. Sejak 2015, Omur juga memegang tanggung jawab sebagai Global Account Manager.

In 2012, he assumed Regional Marketing and Sales Director role of SEA based in Bekaert Singapore. Since 2015, Omur also held the responsibility of Global Account Manager.

Ömür Mentese

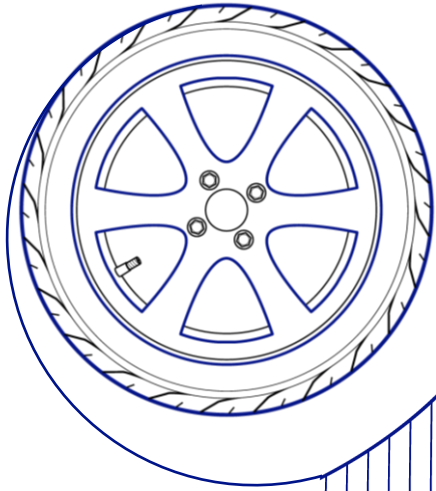


Selain itu, ia telah menyelesaikan program INSEAD "Driving Value Through Business Acumen" pada tahun 2018 sembari bekerja sebagai konsultan dalam perekrutan, penilaian tim penjualan, dan manajemen kinerja penjualan.

In addition, he has completed INSEAD "Driving Value Through Business Acumen" program in 2018 while working as a consultant on recruitment, assessment of sales teams and sales performance management.

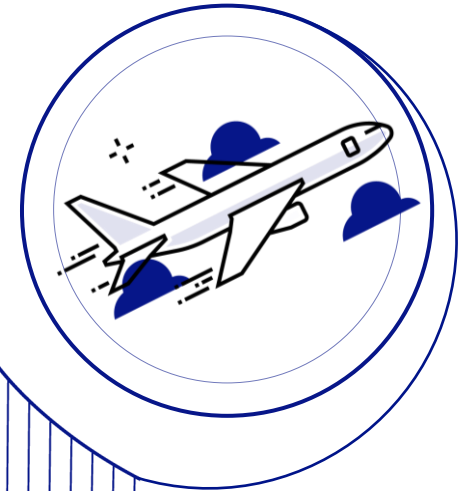
Sebelum diangkat sebagai anggota Komisaris, beliau menjabat sebagai Direktur di PT Indo Kordsa Tbk dan PT Indo Kordsa Polyester pada periode 2019-2022 serta sebagai Presiden Direktur Indo Kordsa dari 2022 hingga 2024.

Before being appointed as a Commissioner, he served as a Director at PT Indo Kordsa Tbk and PT Indo Kordsa Polyester from 2019 to 2022 and as President Director at Indo Kordsa from 2022 to 2024.



KORDSA

THE REINFORCER



President Director Profile
Salih Kahraman

Salih Karahman



Bapak Salih Karahman warga negara Turki, berusia 41 tahun. Lahir di Izmit, Turki.

Mr. Salih Karahman, a Turkish citizen, is 41 years old and was born in Izmit, Turkey.

Bapak Salih Karahman meraih gelar Bachelor of Science (BSc) jurusan Chemical Engineering dari Middle East Technical University pada tahun 2006 dan menyelesaikan program Executive Development Program pada tahun 2011.

He earned his Bachelor of Science (BSc) degree in Chemical Engineering from Middle East Technical University in 2006 and completed the Executive Development Program in 2011.

Beliau memulai karir profesionalnya sebagai Product Engineer di Kordsa pada tahun 2007 selama 4 tahun. Pada tahun 2011, Salih menjabat sebagai Technology Manager - South America hingga Desember 2014.

He began his professional career as a Product Engineer at Kordsa in 2007, a position he held for four years. In 2011, Salih became the Technology Manager - South America, a role he served in until December 2014.

Salih Karahman



Setelah kembali ke Turki, ia menjabat sebagai Production Manager pada 2015, lalu menjadi Group Manager; Global QA and Tech pada 2015, selama hampir lima tahun. Pada 2020, ia diangkat sebagai Group Manager; Sales, EMEA. Pada 2022, ia dipercaya untuk menjabat sebagai Chief Operating Officer, EMEA.

After returning to Turkey, he served as Production Manager in 2015, then became Group Manager; Global QA and Tech in October 2015, a position he held for nearly five years. In 2020, he was appointed as Group Manager; Sales, EMEA. In 2022, he was entrusted with the role of Chief Operating Officer, EMEA.